



Safehinge ALU Range - Integrated Finger Protection for Doors

**safehinge**™

“We have decided to use Safehinge ALU on a ‘spend to save’ basis across all new primary and special needs schools.”

Manchester City Council Education Department

30,000 children trap and seriously injure their fingers in doors every year in the UK and 1,500 of these will require surgery.

Royal Society for the Prevention of Accidents



### The Safehinge ALU range

Safehinge ALU eliminates any opportunity for finger trappings to occur by using a specialist pivot set and integrating a curved aluminium profile with the door. Clever design means there is no opportunity for wandering fingers to be trapped, which is without doubt the best way to protect against accidents: total prevention.



### Ease of manufacture

Safehinge ALU is designed for efficient manufacturing. The Safehinge ALU range is compatible with both CNC and manual manufacturing techniques and can be incorporated into a doorset as easily as conventional butt hinges.

### Install once

Safehinge ALU is designed for quick and easy installation. Our product offers installers on-site adjustability, that allows for building imperfections and enables fast, stress-free installation, ensuring outstanding results are achieved every time.

### Technical performance



NFR/FD30/FD60



SEVERE DUTY



UP TO 38dB



RAL COLOUR OPTIONS

Full technical details can be found online at [www.safehinge.com](http://www.safehinge.com)

### Save up to 75% on life costs

Retrofit hinge covers have limited durability and typically fail every 6 – 24 months, leading to regular replacements which incur substantial cost. Safehinge ALU is a durable solution to this issue. Installed once, it lasts the life of the door and will save 75% - around £500 per door - over the life of a school or hospital.

### Why choose the Safehinge ALU range?

#### Education

- Improve safety for entire community who use flexible spaces in school buildings
- Embody best practice and create inspirational schools fit for the 21st century
- Save devolved budgets for pupil education, not replacing broken hinge covers
- Maximise value of your capital investment – Safehinge ALU will last the life of the door
- Protect local authorities against costly compensation claims

#### Healthcare

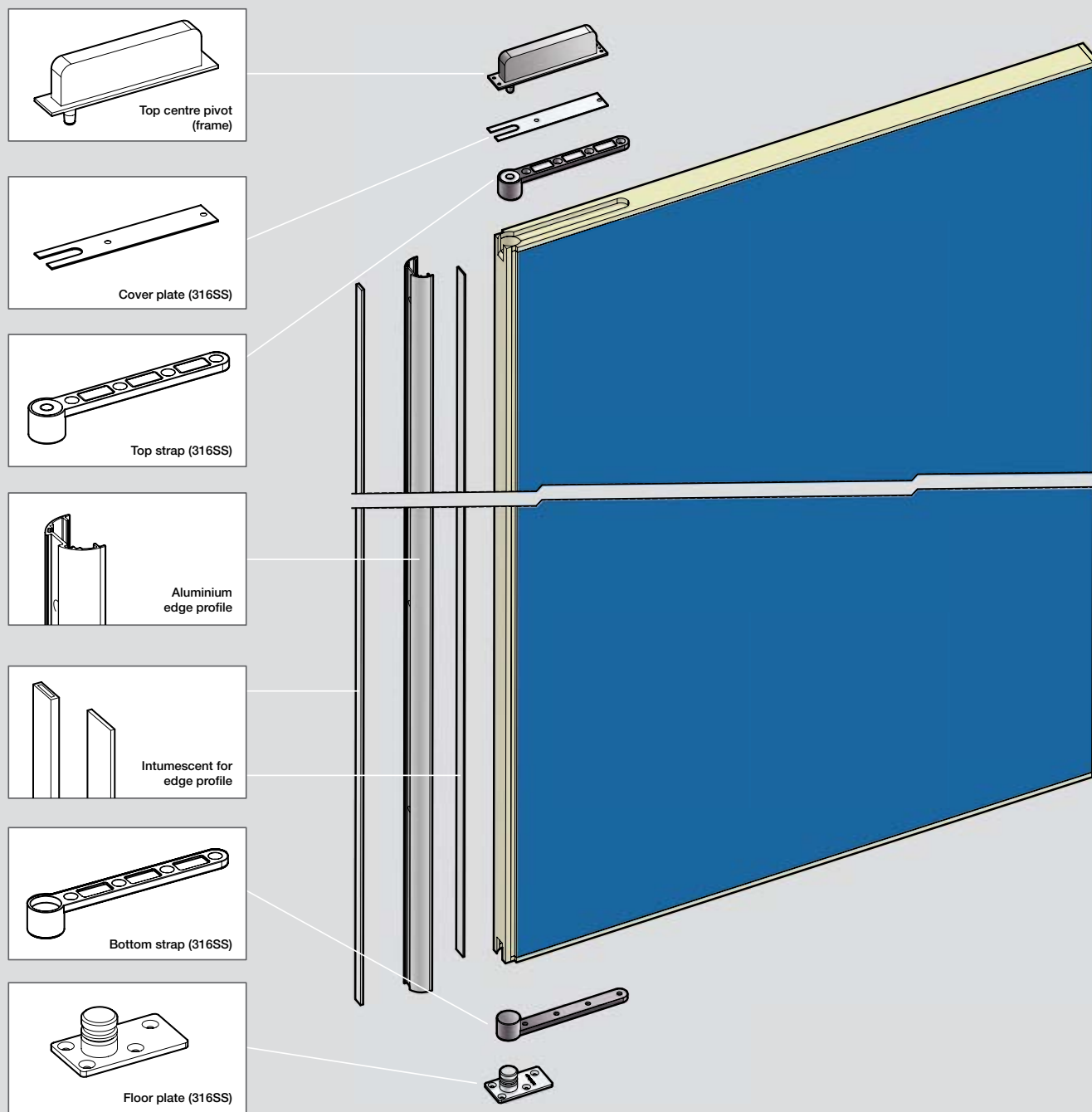
- Comply with HTM 58 recommendation of finger protection for doors
- Eliminate risk, provide total finger protection for vulnerable patients
- Combat Healthcare Associated Infections (HCAI) with wipe clean surface
- Specify durable finger protection that lasts the life of door
- Provide additional edge impact resistance with aluminium profile

#### Retail and Leisure

- Demonstrate unparalleled commitment to customer safety by using most effective finger protection
- Create outstanding, attractive environments for your customers
- Protect against negative publicity associated with finger trapping injuries
- Improve sustainability credentials by reducing landfill from broken hinge covers

## Safehinge ALU range:

Safehinge ALU versions are available for 44 and 54mm thick doors for NFR/FD30/FD60 rating.



For further information and to order contact: